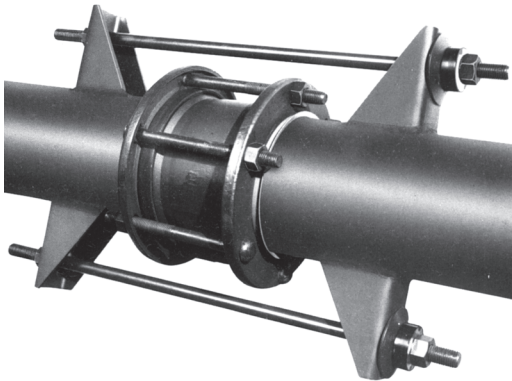


DRESSER®

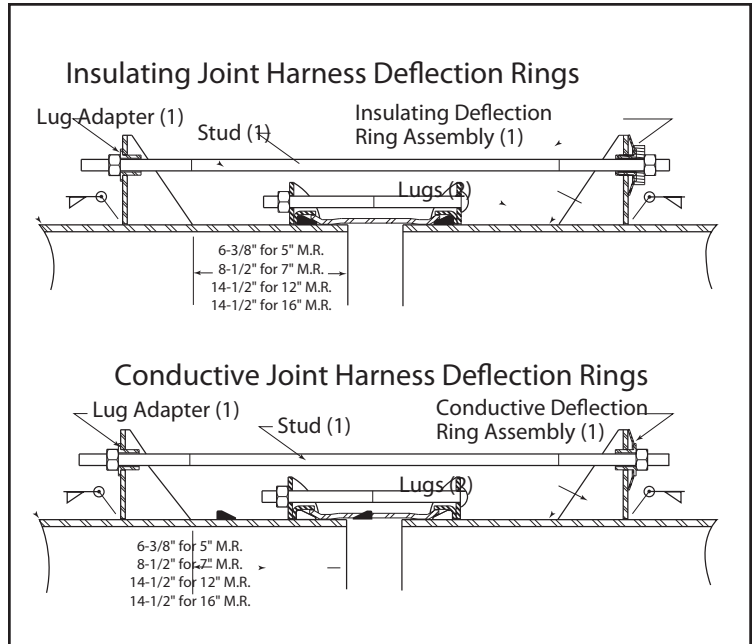
Style 440 Joint Harnesses

Dresser Style 440 Joint Harnesses are steel tie-bolts, diametrically opposite, which extend across a coupled joint from lugs welded to the pipe on either side of the joint. Joint harnesses are particularly effective on unanchored bends subject to pulsating pressures of sharp intensity.



Available as conductive or insulating, Dresser Joint Harnesses have been designed to meet D.O.T. Regulation Part II, Section 192.273 and meet all safety requirements of modern gas distribution system practices. Lugs are made of rugged construction for optimum strength. Insulators are of high-quality thermoplastic resin compound providing minimum insulating rating of 5 megohms at 100V, and will not short out. A deflection ring placed behind one lug deflects to absorb contraction in connected pipes occurring after installation eliminating harmful stresses. Individual harnesses may be installed in the field as either insulated or conductive by simply interchanging parts.

Each Dresser Style 440 Joint Harness consists of two lugs, one deflection ring, one stud bolt and two nuts. Harnesses are furnished with either 5/8" or 3/4" stud bolts in lengths of 26" for 5" middle rings; 32" for 7" middle rings; and 44" for 12" & 16" middle rings. See selector chart at right for pipe diameters and line working pressure.



STYLE 440 SELECTOR CHART
Number of Joint Harnesses Required
by Pipe Diameter, Bolt Size and Working Pressure

Pipe Diam.	Bolt Size	Line Working Pressure (PSI)											
		25	50	75	100	125	150	175	200	225	250	275	300
2" - 6"	5/8"	2	2	2	2	2	2	2	2	2	2	2	2
	5/8"	2	2	2	2	2	2	2	2	2	2	2	3
	3/4"	2	2	2	2	2	2	2	2	2	2	2	2
10"	5/8"	2	2	2	2	2	2	3	3	3	3	4	4
	3/4"	2	2	2	2	2	2	2	2	2	2	3	3
	5/8"	2	2	2	2	3	3	3	4	4	5	5	6
12"	3/4"	2	2	2	2	2	2	2	3	3	3	3	4
	5/8"	2	2	2	3	3	4	4	5	5	6	6	7
	3/4"	2	2	2	2	2	2	3	3	3	4	4	4
16"	5/8"	2	2	2	3	4	4	5	6	6	7	8	8
	3/4"	2	2	2	2	3	3	3	4	4	5	5	5
	5/8"	2	2	3	4	5	5	6	7	8	9	10	10
18"	3/4"	2	2	2	3	3	4	4	5	5	6	6	7
	5/8"	2	3	4	5	6	7	8	9	10	11	12	13
	3/4"	2	2	2	3	4	4	5	6	6	7	8	8
20"	5/8"	2	3	5	6	8	9	11	12	14	15	15	15
	3/4"	2	2	3	4	5	6	7	8	9	10	11	12
	5/8"	2	3	5	6	8	9	11	12	14	15	15	15
24"	3/4"	2	2	3	4	5	6	7	8	9	10	11	12
	5/8"	2	3	5	6	8	9	11	12	14	15	15	15
	3/4"	2	2	3	4	5	6	7	8	9	10	11	12
30"	3/4"	2	3	5	6	8	9	11	12	14	15	16	18
	5/8"	2	3	5	6	8	9	11	12	14	15	16	18
	3/4"	3	5	7	9	11	13	15	17	19	21	23	26

NOTE: Style 440 Joint Harnesses are joints of special fabrication and built for special conditions. Use of these products is limited and never required for ordinary conditions. Dresser engineers are glad to assist with recommendations in all cases of unusual service conditions that may require these devices and offer the most economical and practical solution for your particular requirements.

Distributed in Australia, New Zealand and South East Asia by Anode Engineering:

30 Chetwynd Street
Loganholme 4129 QLD
Australia

Ph: +61 7 3801 5521
Fx: +61 7 3801 5523
Toll Free: 1800 446 400

www.anodeengineering.com
sales@anodeengineering.com

