

SCRAPER CUP



UC2
3 - 14"
Pg. 3-2



UC2
16 - 48"
Pg. 3-3



UC3
3 - 14"
Pg. 3-4



UC3
16 - 48"
Pg. 3-5



UC4
2 - 14"
Pg. 3-6



UC4
16 - 48"
Pg. 3-7



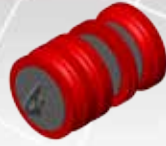
UC2X
16 - 48"
Pg. 3-8



UC3X
16 - 48"
Pg. 3-9



UC4X
16 - 48"
Pg. 3-10



XF
3 - 14"
Pg. 3-11



XF
16 - 48"
Pg. 3-12



SC2A
3 - 4"
Pg. 3-13



SC2R
6 - 14"
Pg. 3-14



SC3R
6 - 14"
Pg. 3-15



SC4R
6 - 14"
Pg. 3-16



SCR
16 - 48"
Pg. 3-17



DCD
3 - 14"
Pg. 3-18



DCD
16 - 48"
Pg. 3-19



DCDX
16 - 48"
Pg. 3-20



DC2R
6 - 14"
Pg. 3-21



DC3R
6 - 14"
Pg. 3-22



DC4R
6 - 14"
Pg. 3-23



DCR
16 - 48"
Pg. 3-24



Jetted
3 - 14"
Pg. 3-25



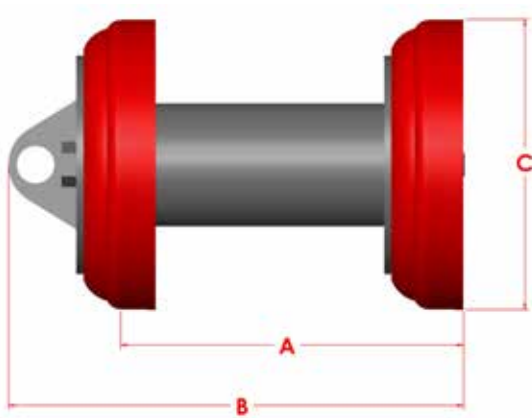
Jetted
16 - 48"
Pg. 3-26

SCRAPER CUP

UC2

3-14" (76-356mm)

The basic two cup Series UC pigs are generally used for batching of dissimilar fluids. The UC Series are available in three versions. The two cup design of this pig provides a positive seal between fluid interfaces while the three and four cup design are widely used for light cleaning of pipelines or batching/separation operations.



Size	A	B	C	Weight	Part #
3"	4.375	6.875	3.375	2.0	70380203
4"	5.500	8.125	4.375	3.0	70380204
6"	7.750	11.750	6.375	11	70380206
8"	10.125	14.000	8.500	20	70380208
10"	12.500	16.750	10.625	35	70380210
12"	15.000	19.000	12.500	46	70380212
14"	17.375	21.000	13.875	54	70380214

Features:

The large wear surface of the cup promotes longer life while the product pressure keeps the cutting edge firm against the pipe wall. Cups can be changed or adapted to different configurations as the application dictates.

Designed to traverse 1.5D bends.

Options:

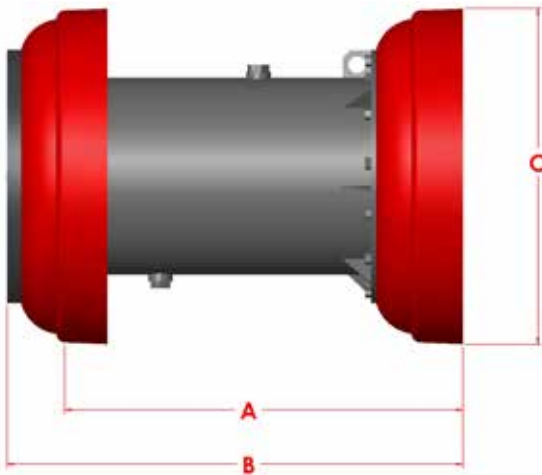
- Gauging plates of aluminum or steel, and either in slotted or standard styles are available.
- Magnets are available.
- Available with UT configuration with internal transmitter housing for 6" - 14" pigs.

SCRAPER CUP

UC2

16-48" (406-1219mm)

The UC pig are available in three versions. The basic two cup and three cup UC pigs are generally used for batching of dissimilar fluids. Cups can be changed or adapted to different configurations as the application dictates. The configuration of the four cup UC provides positive seal between dissimilar fluids and typically used for longer distance operations and for light cleaning of pipelines.



Size	A	B	C	Weight	Part #
16"	17.875	21.125	16.000	83	70380216
20"	22.625	26.375	19.875	134	70380220
22"	24.750	28.875	21.875	153	70380222
24"	27.375	31.500	23.875	197	70380224
30"	33.750	38.875	29.875	307	70380230
36"	40.125	45.750	36.000	472	70380236
42"	46.750	52.750	42.125	685	70380242
48"	51.000	57.500	47.625	849	70380248

Features:

UC pigs are equipped with Apache Series C cups manufactured from high quality Reliathane. The large wear surface of the cup promotes longer life while the product pressure keeps the cutting edge firm against the pipe wall. Standard bumper noses prevent damage to both the pig and in-line auxiliary equipment. All Apache 16"-48" pigs are manufactured with by-pass ports. The ports have threaded plugs that can be removed if by-pass is required.

Designed to traverse 1.5D bends.

Options:

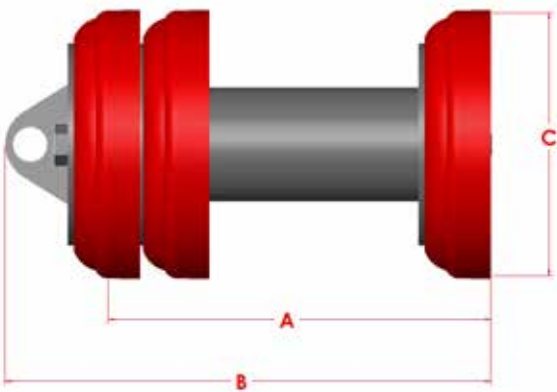
- Transmitter cavity for electronic tracking equipment.
- Aluminum or steel gauging plates are available in either slotted or standard styles.
- Magnets are available.

SCRAPER CUP

UC3

3-14" (76-356mm)

The basic three cup Series UC pigs are designed for batching of dissimilar fluids and are typically used for longer distance applications. The UC Series are available in three versions. The three cup design of this pig provides a positive seal between fluid interfaces and are widely used for light cleaning of pipelines or batching/separation operations.



Size	A	B	C	Weight	Part #
3"	5.500	7.000	3.375	2.0	70380303
4"	6.625	8.375	4.375	4.0	70380304
6"	9.875	13.750	6.375	15	70380306
8"	11.375	15.250	8.500	26	70380308
10"	15.250	19.500	10.625	47	70380310
12"	18.250	22.750	12.500	64	70380312
14"	21.250	25.875	13.875	75	70380314

Features:

The large wear surface of the cup promotes longer life while the product pressure keeps the cutting edge firm against the pipe wall. Cups can be changed or adapted to different configurations as the application dictates.

Designed to traverse 1.5D bends.

Options:

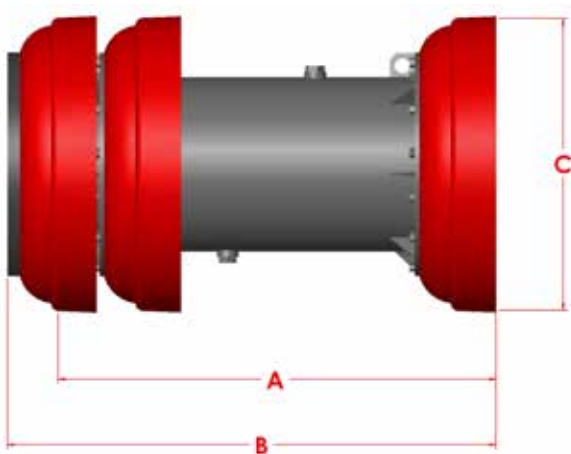
- Gauging plates of aluminum or steel, and either in slotted or standard styles are available.
- Magnets are available.
- Available with UT configuration with internal transmitter housing for 6" - 14" pigs.

SCRAPER CUP

UC3

16-48" (406-1219mm)

The basic three cup UC pigs are designed for batching of dissimilar fluids and are typically used for longer distance applications. The UC Series are available in three versions. The three cup design of this pig provides a positive seal between fluid interfaces and are widely used for light cleaning of pipelines or batching/separation operations.



Size	A	B	C	Weight	Part #
16"	22.500	25.875	16.000	115	70380316
20"	28.500	32.375	19.875	187	70380320
22"	31.375	35.500	21.875	215	70380322
24"	34.375	38.250	23.875	269	70380324
30"	42.125	47.125	29.875	426	70380330
36"	49.250	54.750	36.000	644	70380336
42"	56.500	62.500	42.125	942	70380342
48"	61.625	68.125	47.625	1141	70380348

Features:

UC pigs are equipped with Apache Series C cups manufactured from high quality Reliathane. The large wear surface of the cup promotes longer life while the product pressure keeps the cutting edge firm against the pipe wall. Standard bumper noses prevent damage to both the pig and in-line auxiliary equipment. All Apache 16"-48" pigs are manufactured with by-pass ports. The ports have threaded plugs that can be removed if by-pass is required.

Designed to traverse 1.5D bends.

Options:

- Transmitter cavity for electronic tracking equipment.
- Aluminum or steel gauging plates are available in either slotted or standard styles.
- Magnets are available.

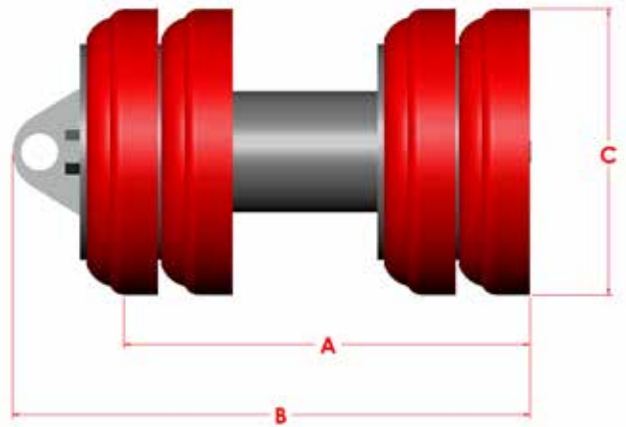
SCRAPER CUP

UC4

2-14" (51-356mm)

The basic four cup Series UC pigs are generally used for batching of dissimilar fluids and are typically used for longer distance applications. The UC Series are available in three versions. The four cup design of this pig provides a positive seal between fluid interfaces and are widely used for light cleaning of pipelines or batching/separation operations.

Size	A	B	C	Weight	Part #
2"	5.500	7.125	2.125	2.0	70380402
3"	6.000	8.375	3.375	3.0	70380403
4"	6.375	9.000	4.375	5.0	70380404
6"	8.875	12.750	6.375	18	70380406
8"	12.000	15.750	8.500	32	70380408
10"	14.500	18.750	10.625	56	70380410
12"	18.125	22.600	12.500	78	70380412
14"	21.125	25.750	13.875	91	70380414



Features:

The large wear surface of the cup promotes longer life while the product pressure keeps the cutting edge firm against the pipe wall. Cups can be changed or adapted to different configurations as the application dictates.

Designed to traverse 3D bends.

Options:

- Gauging plates of aluminum or steel, and either in slotted or standard styles are available.
- Magnets are available.
- Available with UT configuration with internal transmitter housing for 6" - 14" pigs.

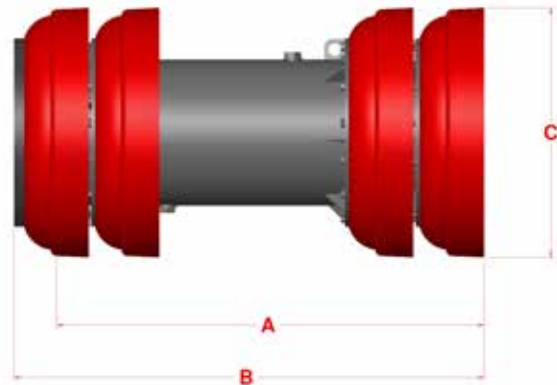
SCRAPER CUP

UC4

16-48" (406-1219mm)

The basic four cup Series UC pigs are generally used for batching of dissimilar fluids and are typically used for longer distance applications. The UC Series are available in three versions. The four cup design of this pig provides a positive seal between fluid interfaces and are widely used for light cleaning of pipelines or batching/separation operations.

Size	A	B	C	Weight	Part #
16"	27.375	30.625	16.000	148	70380416
20"	34.625	38.375	19.875	240	70380420
22"	37.875	42.000	21.875	277	70380422
24"	40.875	45.000	23.875	342	70380424
30"	50.500	55.500	29.875	544	70380430
36"	58.250	63.750	36.000	815	70380436
42"	66.125	72.125	42.250	1198	70380442
48"	72.375	78.875	47.625	1432	70380448



Features:

UC pigs are equipped with Apache Series C cups manufactured from high quality Reliathane. The large wear surface of the cup promotes longer life while the product pressure keeps the cutting edge firm against the pipe wall. Standard bumper noses prevent damage to both the pig and in-line auxiliary equipment. All Apache 16"-48" pigs are manufactured with by-pass ports. The ports have threaded plugs that can be removed if by-pass is required.

Designed to traverse 3D bends.

Options:

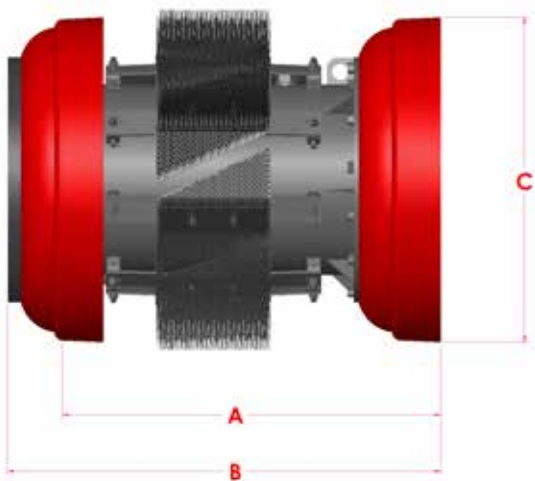
- Transmitter cavity for electronic tracking equipment.
- Aluminum or steel gauging plates are available in either slotted or standard styles.
- Magnets are available.

SCRAPER CUP

UC2X

16-48" (406-1219mm)

The basic two cup UCX pigs are generally used for cleaning and scraping of pipelines. This pig is also available in three and four cup configurations. By adding cups to the configuration the UC pig provides a positive seal between dissimilar fluids and are typically used for longer distance operations and for light cleaning of pipelines. Cups can be changed or adapted to different configurations as the application dictates.



Size	A	B	C	Weight	Part #
16"	18.875	22.000	16.000	118	60352216
20"	24.500	28.375	19.875	187	60352220
22"	26.750	30.875	21.875	210	60352222
24"	28.375	32.500	23.875	269	60352224
30"	33.750	38.875	29.875	391	60352230
36"	40.125	45.750	36.000	572	60352236
42"	46.750	52.750	42.125	819	60352242
48"	51.000	57.500	47.625	987	60352248

Features:

UCX pigs are equipped with Apache Series C cups manufactured from high quality Reliathane. The large wear surface of the cup promotes longer life while the product pressure keeps the cutting edge firm against the pipe wall. A standard bumper nose prevent damage to both the pig and in-line auxiliary equipment. All Apache 16"-48" pigs are manufactured with by-pass ports. The ports have threaded plugs that can be removed if by-pass is required.

Designed to traverse 3D bends.

Options:

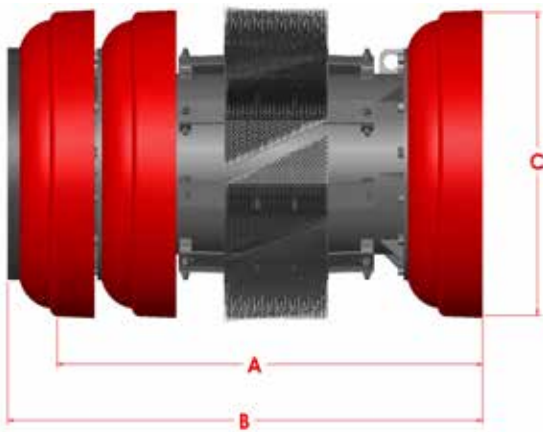
- Circular flat carbon steel, stainless steel, pencil or plastic brushes.
- Transmitter housing to accommodate electronic tracking equipment.
- Aluminum or steel gauging plates are available in either slotted or standard styles.
- Magnets are available.
- Plow blades.

SCRAPER CUP

UC3X

16-48" (406-1219mm)

The three cup UCX pigs are generally used for cleaning and scraping of pipelines. By adding cups to the configuration the UC pig provides a positive seal between dissimilar fluids and are typically used for longer distance operations and for light cleaning of pipelines. Cups can be changed or adapted to different configurations as the application dictates.



Size	A	B	C	Weight	Part #
16"	23.500	26.875	16.000	150	60352316
20"	30.500	34.500	19.875	240	60352320
22"	33.375	37.500	21.875	276	60352322
24"	35.125	39.250	23.875	341	60352324
30"	42.125	47.125	29.875	509	60352330
36"	49.250	54.750	36.000	743	60352336
42"	56.500	62.500	42.125	1058	60352342
48"	61.750	68.125	47.625	1292	60352348

Features:

UCX pigs are equipped with Apache Series C cups manufactured from high quality Reliathane. The large wear surface of the cup promotes longer life while the product pressure keeps the cutting edge firm against the pipe wall. A standard bumper nose prevent damage to both the pig and in-line auxiliary equipment. All Apache 16"-48" pigs are manufactured with by-pass ports. The ports have threaded plugs that can be removed if by-pass is required.

Designed to traverse 3D bends.

Options:

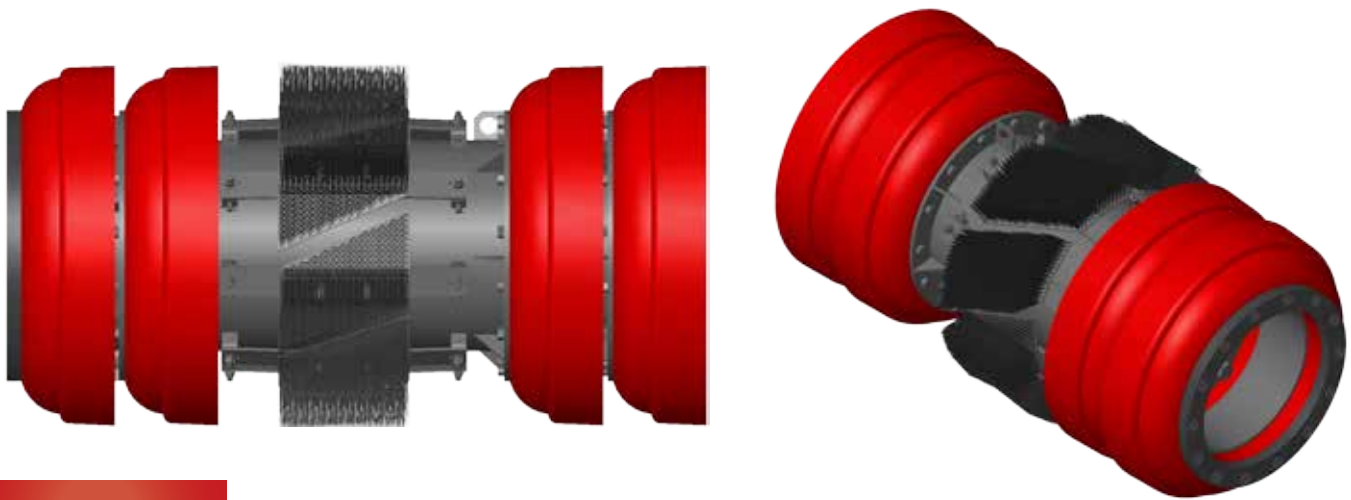
- Carbon steel, stainless steel, pencil or plastic brushes.
- Transmitter cavity for electronic tracking equipment.
- Aluminum or steel gauging plates are available in either slotted or standard styles.
- Magnets are available.
- Plow blades.

SCRAPER CUP

UC4X

16-48" (406-1219mm)

The four cup UCX pigs are generally used for cleaning and scraping of pipelines. By adding cups to the configuration the UC pig provides a positive seal between dissimilar fluids and are typically used for longer distance operations and for light cleaning of pipelines. Cups can be changed or adapted to different configurations as the application dictates.



Features:

UCX pigs are equipped with Apache Series C cups manufactured from high quality Reliathane. The large wear surface of the cup promotes longer life while the product pressure keeps the cutting edge firm against the pipe wall. A standard bumper nose prevent damage to both the pig and in-line auxiliary equipment. All Apache 16"-48" pigs are manufactured with by-pass ports. The ports have threaded plugs that can be removed if by-pass is required.

Designed to traverse 3D bends.

Options:

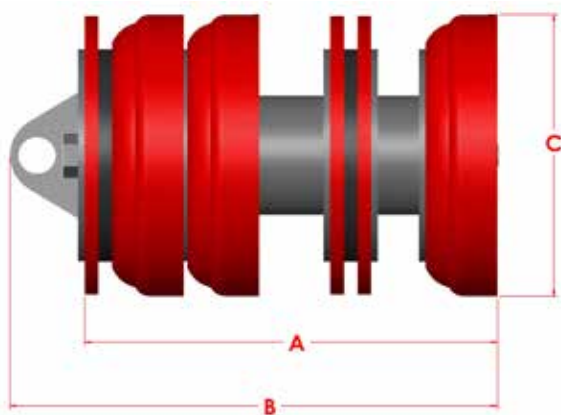
- Carbon steel, stainless steel, pencil or plastic brushes.
- Transmitter cavity for electronic tracking equipment.
- Aluminum or steel gauging plates are available in either slotted or standard styles.
- Magnets are available.
- Plow blades.

SCRAPER CUP

XF

3-14" (76-356mm)

The Apache XF pig comes standard with a combination of three sealing discs and three Series C cups, providing a positive seal between dissimilar fluids and scraping compatibility. XF are typically used for longer distance batching operations and for light cleaning of pipelines. Cups and discs can be easily changed or adapted to different configurations as the application dictates.



Size	A	B	C	Weight	Part #
3"	7.625	9.000	3.375	3.0	70678603
4"	8.250	9.000	4.375	6.0	70678604
6"	10.250	12.500	6.375	18	70678606
8"	12.000	14.375	8.500	33	70678608
10"	15.125	18.000	10.625	58	70678610
12"	18.125	20.875	12.750	82	70678612
14"	20.750	23.500	13.875	92	70678614

Features:

Designed to traverse 3D bends.

Options:

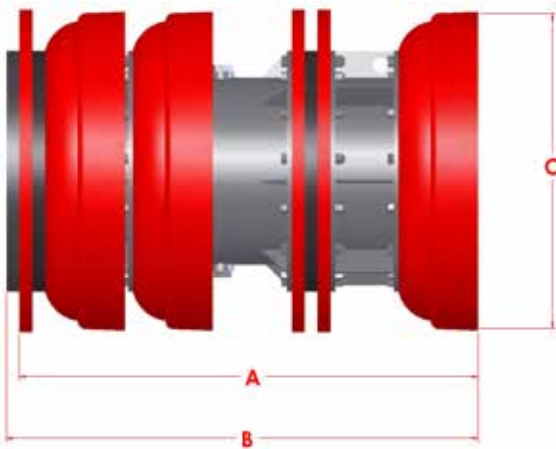
- Gauging plates of aluminum or steel, and either in slotted or standard styles.
- Magnets are available.
- Available with UT configuration with internal transmitter housing for 6" - 14" pigs.

SCRAPER CUP

XF

16-48" (406-1219mm)

The Apache XF pig comes standard with a combination of three sealing discs and three Series C cups, providing a positive seal between dissimilar fluids and scraping compability. XF are typically used for longer distance batching operations and for light cleaning of pipelines. Cups and discs can be easily changed or adapted to different configurations as the application dictates.



Size	A	B	C	Weight	Part #
16"	23.375	24.375	16.000	140	70678616
18"	27.625	28.625	17.875	174	70678618
20"	30.000	31.000	19.875	231	70678620
22"	32.500	33.500	21.875	267	70678622
24"	35.500	36.500	23.875	359	70678624
30"	45.375	46.500	29.875	541	70678630
36"	53.500	54.875	36.000	823	70678636
42"	62.125	63.625	42.250	1252	70678642
48"	72.000	73.625	47.875	1519	70678648

Features:

Standard bumper noses prevent damage to both the pig and in-line auxiliary equipment. All Apache 16"-48" pigs are manufactured with by-pass ports. The ports have threaded plugs that can be removed if by-pass is required.

Designed to traverse 3D bends.

Options:

- Gauging plates of aluminum or steel, and either in slotted or standard styles.
- Transmitter cavity for electronic tracking equipment.
- Magnets are available.
- Circular flat carbon steel, stainless steel, pencil or plastic brushes.

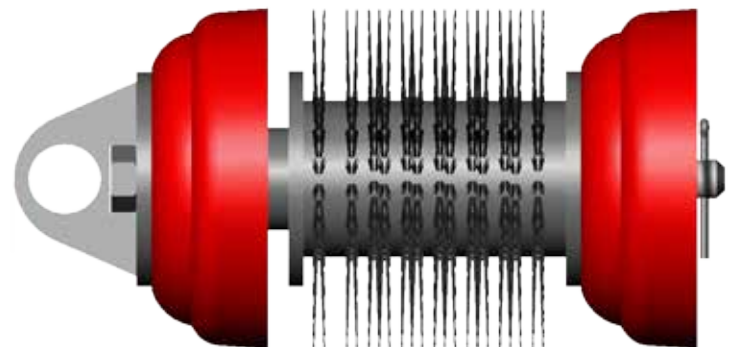
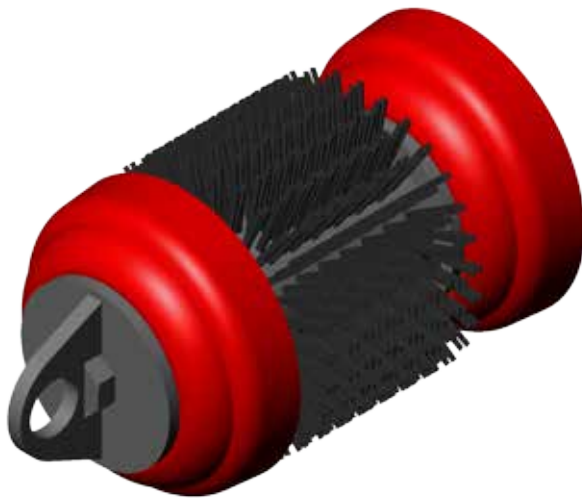
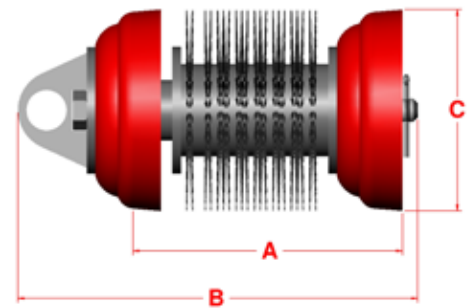
SCRAPER CUP

SC2A

3-4" (76-102mm)

The Series SCA cleaning pigs improve flow rate deficiencies in small gathering lines. The ability to negotiate sharp bends and the cleaning capability of the Series HDPE-PB brush make the SCA an efficient cleaning tool.

Size	A	B	C	Weight	Part #
3"	5.750	7.750	6.375	3.0	60300203
4"	5.875	8.375	4.375	5.0	60300204



Features:

The SC2A pigs come standard with two Apache Series C cups manufactured from high quality Reliathane and stainless steel brushes. Elements and brushes can be easily replaced to provide additional service.

Designed to traverse 1.5D bends.

Options:

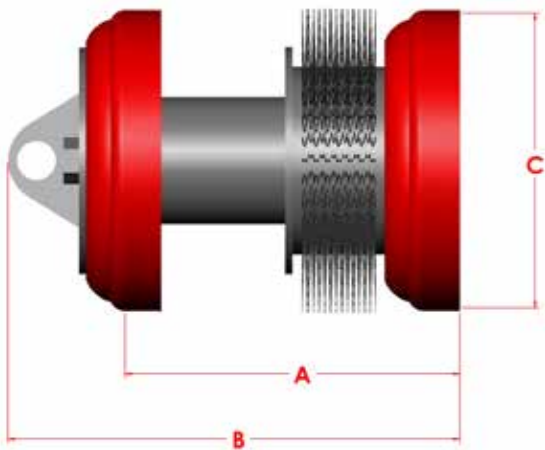
- New mandrel possibility.

SCRAPER CUP

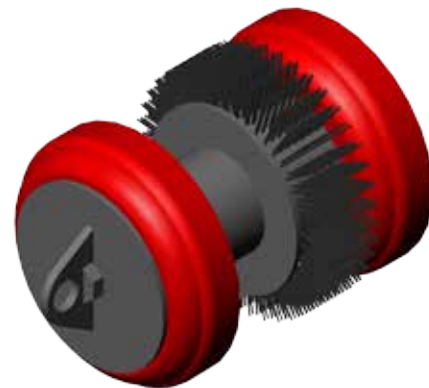
SC2R

6-14" (152-356mm)

The Series SCR cleaning pigs are designed to aggressively remove debris from pipelines. Effective in all types of pipelines, the aggressive fixed steel brush provides optimal cleaning ability.



Size	A	B	C	Weight	Part #
6"	7.750	11.000	6.375	13	60307506
8"	10.000	13.500	8.500	23	60307508
10"	11.875	16.000	10.625	38	60307510
12"	14.625	19.125	12.750	53	60307512
14"	17.125	21.750	13.875	62	60307514



Features:

The SC2R pigs come standard with two Apache Series C cups manufactured from high quality Reliathane. Elements and brushes can easily be replaced to provide additional service.

Designed to traverse 1.5D bends.

Options:

- Circular flat carbon steel, stainless steel, pencil or plastic brushes.
- Aluminum or steel gauging plates are available in either slotted or standard styles.
- Magnets are available.
- Available with UT configuration with internal transmitter housing for 6" - 14" pigs.

1575 - 90 Ave Edmonton, AB Canada T6P 0E2

3-14

Ph: 780.416.4850 | Fax: 780.416.4829 | apachepipe.com | Email: sales@apachepipe.com

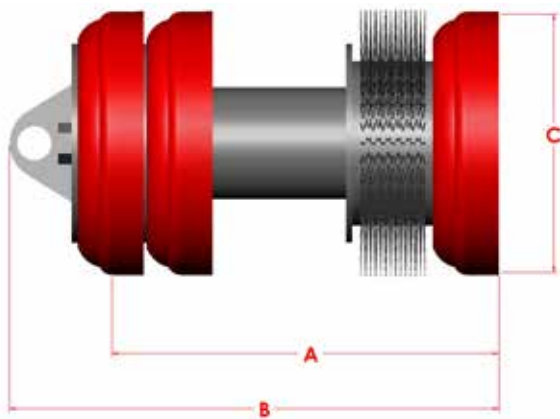
world class world wide

SCRAPER CUP

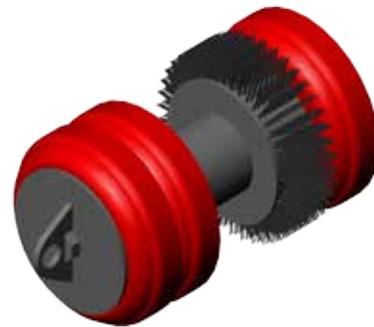
SC3R

6-14" (152-356mm)

The Series SCR cleaning pigs are used to remove debris from pipelines thereby improving valuable flowrates. Effective in all types of pipelines, the aggressive fixed steel brush provides optimal cleaning ability.



Size	A	B	C	Weight	Part #
6"	7.750	11.000	6.375	15	60307606
8"	10.750	14.125	8.500	28	60307608
10"	12.625	16.750	10.625	48	60307610
12"	15.500	20.000	12.750	69	60307612
14"	17.500	22.125	13.875	79	60307614



Features:

The SC3R model comes standard with three Apache Series C cups to further increase the versatility of these pigs.

Designed to traverse 3D bends.

Options:

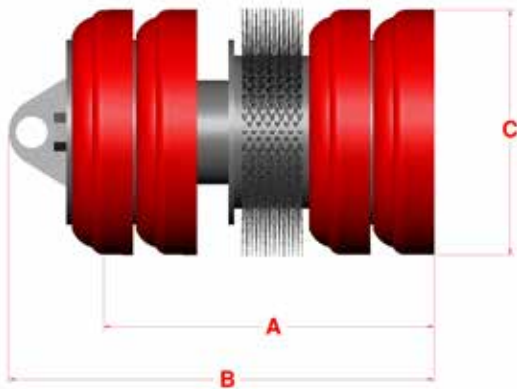
- Circular flat carbon steel, stainless steel, pencil or plastic brushes.
- Aluminum or steel gauging plates are available in either slotted or standard styles.
- Magnets are available.
- Available with UT configuration with internal transmitter housing for 6" - 14" pigs.

SCRAPER CUP

SC4R

6-14" (152-356mm)

The Series SCR cleaning pigs are used to remove debris from pipelines thereby improving valuable flowrates. Effective in all types of pipelines, the aggressive fixed steel brush provides optimal cleaning ability.



Size	A	B	C	Weight	Part #
6"	8.750	12.000	6.375	19	60307706
8"	10.875	14.375	8.500	33	60307708
10"	13.875	18.000	10.625	60	60307710
12"	16.875	21.375	12.750	84	60307712
14"	18.375	23.000	13.875	97	60307714



Features:

The SC4R model comes standard with four Apache Series C cups to further increase the versatility of these pigs.

Designed to traverse 3D bends.

Options:

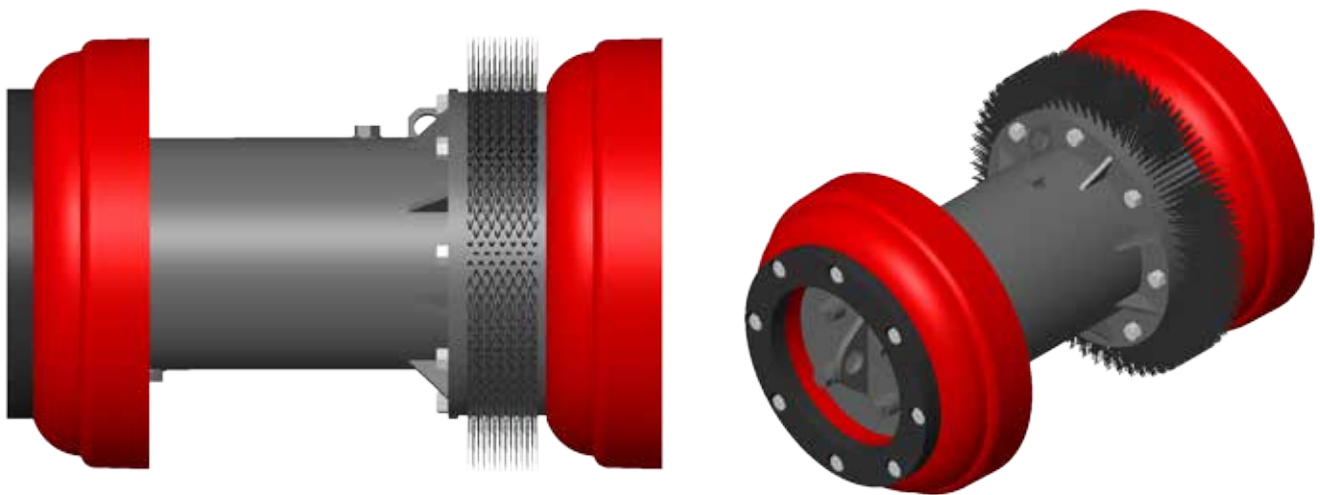
- Circular flat carbon steel, stainless steel, pencil or plastic brushes.
- Aluminum or steel gauging plates are available in either slotted or standard styles.
- Magnets are available.
- Available with UT configuration with internal transmitter housing for 6" - 14" pigs.

SCRAPER CUP

SCR

16-48" (406-1219mm)

The Series SCR cleaning pigs are used to remove debris from pipelines thereby improving valuable flowrates. Effective in all types of pipelines, the aggressive fixed steel brush provides optimal cleaning ability.



Features:

The SCR model comes standard with two Apache Series C cups manufactured from high quality Reliathane. Elements and brushes can easily be replaced to provide additional service.

Designed to traverse 1.5D bends.

Options:

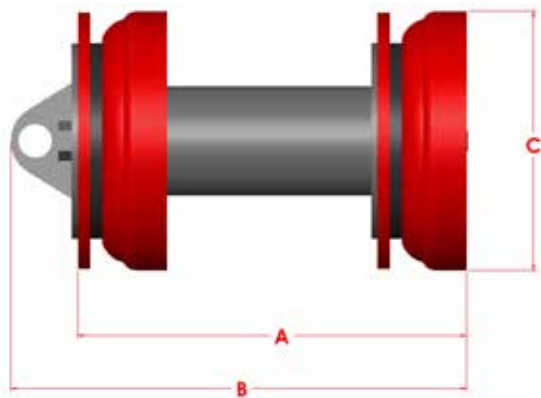
- Circular flat carbon steel, stainless steel, pencil or plastic brushes.
- Aluminum or steel gauging plates are available in either slotted or standard styles.
- Magnets are available.
- Transmitter cavities.
- Rattler assemblies.

SCRAPER CUP

DCD

3-14" (76-356mm)

The Series DCD pig comes standard with a combination of two sealing discs and two Series C Cups, providing a positive seal between dissimilar fluids and scraping capability. The increased surface area provided by multiple sealing components significantly improves overall cleaning and sealing capacity of the pig.



Size	A	B	C	Weight	Part #
3"	4.875	6.500	3.375	2.0	70683003
4"	6.250	8.250	4.375	4.0	70683004
6"	9.375	12.250	6.375	12	70683006
8"	11.875	14.500	8.500	23	70683008
10"	14.875	17.750	10.625	39	70683010
12"	18.125	20.875	12.750	56	70683012
14"	20.750	23.500	13.875	65	70683014

Features:

Configuration of the DCD pig offers a sealing arrangement suitable for separation of dissimilar fluids together with light scraping of pipeline during longer distance operations.

Designed to traverse 1.5D bends.

Options:

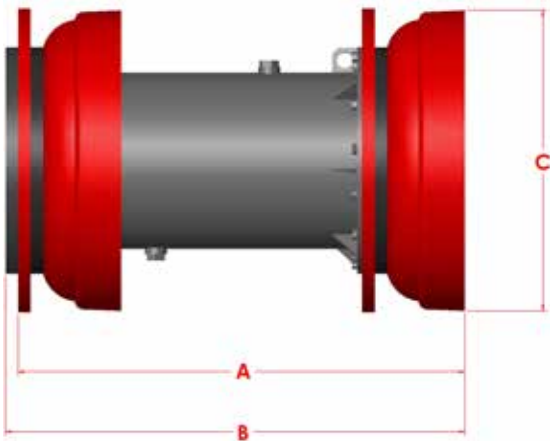
- Circular flat carbon steel, stainless steel, pencil or plastic brushes.
- Aluminum or steel gauging plates are available in either slotted or standard styles.
- Magnets are available.
- Available with UT configuration with internal transmitter housing for 6" - 14" pigs.

SCRAPER CUP

DCD

16-48" (406-1219mm)

The Series DCD pig comes standard with a combination of two sealing discs and two Series C Cups, providing a positive seal between dissimilar fluids and scraping capability. The increased surface area provided by multiple sealing components significantly improves overall cleaning and sealing capacity of the pig.



Size	A	B	C	Weight	Part #
16"	23.125	24.125	16.000	97	70683016
20"	28.875	29.875	19.875	159	70683020
22"	31.375	32.375	21.875	183	70683022
24"	34.500	35.500	23.875	234	70683024
30"	42.250	43.375	29.875	376	70683030
36"	49.875	51.250	36.000	583	70683036
42"	57.250	58.750	42.250	865	70683042
48"	62.750	64.500	47.750	1077	70683048

Features:

Configuration of the DCD pig offers a sealing arrangement suitable for separation of dissimilar fluids together with light scraping of pipeline during longer distance operations. Standard bumper noses prevent damage to both the pig and in-line auxiliary equipment. All Apache 16"-48" pigs are manufactured with by-pass ports. The ports have threaded plugs that can be removed if by-pass is required.

Designed to traverse 1.5D bends.

Options:

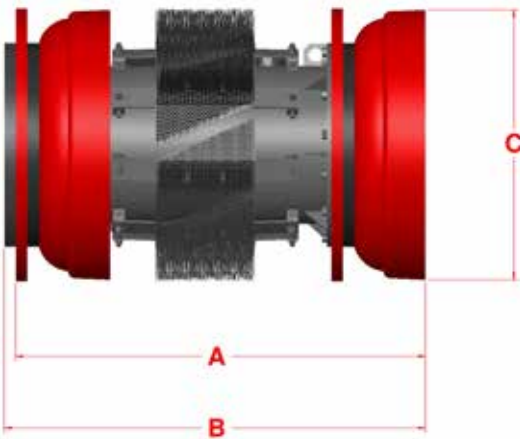
- Circular flat carbon steel, stainless steel, pencil or plastic brushes.
- Transmitter housing to accommodate electronic tracking equipment.
- Aluminum or steel gauging plates are available in either slotted or standard styles.
- Magnets are available.

SCRAPER CUP

DCDX

16-48" (406-1219mm)

The Series DCDX pig come standard with the combination of two cups, two discs and brushes which provides a positive seal between dissimilar fluids and are typically used for long distance operations and light cleaning of pipelines. The increased surface area provided by multiple sealing components significantly improves overall cleaning and sealing capacity of the pig.



Size	A	B	C	Weight	Part #
16"	24.000	25.000	16.000	132	60370016
20"	30.875	31.875	19.875	212	60370020
22"	33.375	34.375	21.875	246	60370022
24"	35.500	36.500	23.875	307	60370024
30"	42.250	43.375	29.875	459	60370030
36"	49.875	51.250	36.000	682	60370036
42"	57.875	58.750	42.250	999	60370042
48"	62.750	64.500	47.625	1207	60370048

Features:

DCDX pigs are equipped with Apache Series C cups manufactured from high quality Reliathane. The large wear surface of the cup promotes longer life while the product pressure keeps the cutting edge firm against the pipe wall. A standard bumper nose prevent damage to both the pig and in-line auxiliary equipment. All Apache 16"-48" pigs are manufactured with by-pass ports. The ports have threaded plugs that can be removed if by-pass is required.

Designed to traverse 3D bends.

Options:

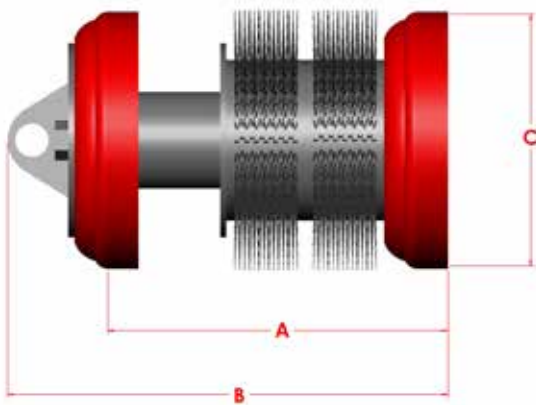
- Circular flat carbon steel, stainless steel, pencil or plastic brushes.
- Transmitter housing to accommodate electronic tracking equipment.
- Aluminum or steel gauging plates are available in either slotted or standard styles.
- Magnets are available.
- Plow blades.

SCRAPER CUP

DC2R

6-14" (152-356mm)

Apache Series DCR cleaning pigs are used to remove debris from pipelines thereby improving valuable flowrates. DC2R pigs come standard with two Apache Series C cups manufactured from high quality Reliathane.



Size	A	B	C	Weight	Part #
6"	7.500	10.875	6.375	14	60308206
8"	10.875	14.375	8.500	26	60308208
10"	12.250	16.375	10.625	41	60308210
12"	14.875	19.375	12.750	61	60308212
14"	16.875	21.500	13.875	71	60308214



Features:

Elements and brushes can be easily replaced to provide additional service. Similar in design to the SCR pigs, the DCRs are equipped with two fixed steel brushes to further enhance cleaning performance.

Designed to traverse 3D bends.

Options:

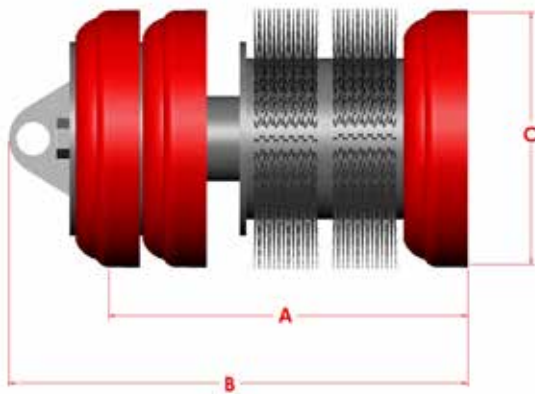
- Carbon steel, stainless steel, pencil or plastic brushes.
- Gauging plates of aluminum or steel, and either in slotted or standard styles.
- Magnets are available.
- Available with UT configuration with internal transmitter housing for 6" - 14" pigs.

SCRAPER CUP

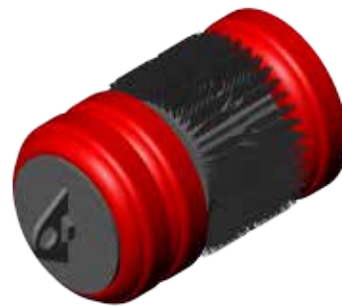
DC3R

6-14" (152-356mm)

Apache Series DCR cleaning pigs are used to remove debris from pipelines thereby improving valuable flowrates. DC3R pigs come standard with three Apache Series C cups manufactured from high quality Reliathane.



Size	A	B	C	Weight	Part #
6"	9.125	12.375	6.375	18	60308306
8"	12.125	15.500	8.500	32	60308308
10"	15.000	19.125	10.625	53	60308310
12"	16.750	21.250	12.750	77	60308312
14"	18.250	22.875	13.875	89	60308314



Features:

Elements and brushes can be easily replaced to provide additional service. Similar in design to the SCR pigs, the DCRs are equipped with two fixed steel brushes to further enhance cleaning performance.

Designed to traverse 3D bends.

Options:

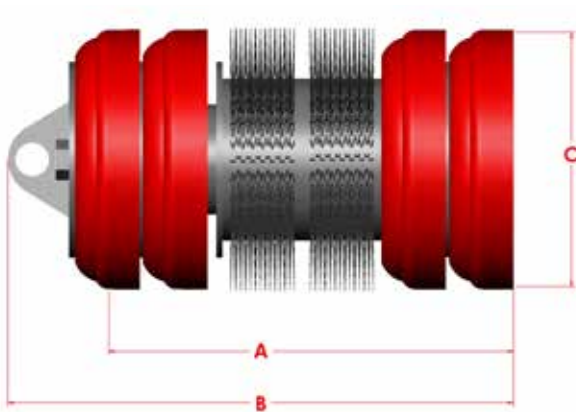
- Gauging plates of aluminum or steel, and either in slotted or standard styles.
- Carbon steel, stainless steel, pencil or plastic brushes.
- Magnets are available.
- Available with UT configuration with internal transmitter housing for 6" - 14" pigs.

SCRAPER CUP

DC4R

6-14" (152-356mm)

Apache Series DCR cleaning pigs are used to remove debris from pipelines thereby improving valuable flowrates. DC4R pigs come standard with four Apache Series C cups manufactured from high quality Reliathane.



Size	A	B	C	Weight	Part #
6"	9.625	12.875	6.375	21	60308406
8"	12.250	15.750	8.500	37	60308408
10"	15.250	19.500	10.625	65	60308410
12"	18.625	23.125	12.750	94	60308412
14"	20.125	24.750	13.875	106	60308414

Features:

Elements and brushes can be easily replaced to provide additional service. Similar in design to the SCR pigs, the DCRs are equipped with two fixed steel brushes to further enhance cleaning performance.

Designed to traverse 3D bends.

Options:

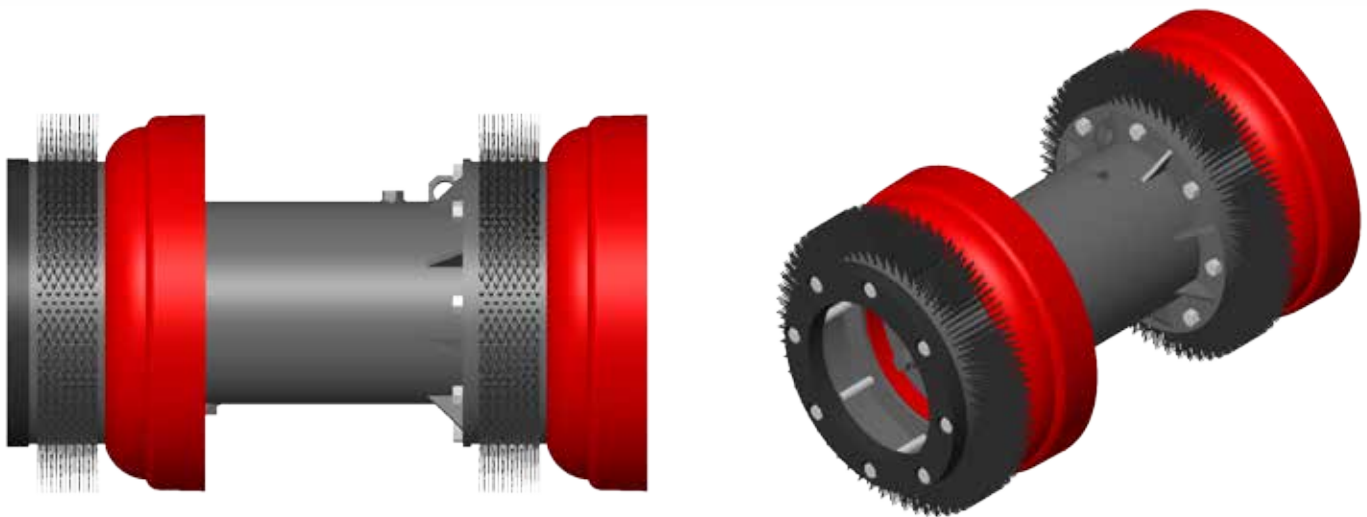
- Gauging plates of aluminum or steel, and either in slotted or standard styles.
- Carbon steel, stainless steel, pencil or plastic brushes.
- Magnets are available.
- Available with UT configuration with internal transmitter housing for 6" - 14" pigs.

SCRAPER CUP

DCR

16-48" (406-1219mm)

Apache Series DCR cleaning pigs are used to remove debris from pipelines thereby improving valuable flowrates. DCR pigs come standard with two Apache Series C cups manufactured from high quality Reliathane.



Features:

Elements and brushes can be easily replaced to provide additional service. Similar in design to the SCR pigs, the DCRs are equipped with two fixed steel brushes to further enhance cleaning performance.

Designed to traverse 1.5D bends.

Options:

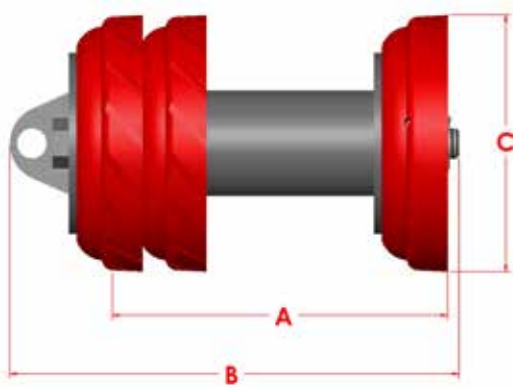
- Gauging plates of aluminum or steel, and either in slotted or standard styles.
- Carbon steel, stainless steel, pencil or plastic brushes.
- Magnets are available.
- Transmitter cavities.
- Rattler assemblies.

SCRAPER CUP

JETTED CUP

3-14" (76-356mm)

The unique design of the JC Cup provides the user all the advantages of the Apache Series C Cup with the added benefit of the jetting action. The grooves in the surface of the cup create five times the cleaning surface enabling a calibrated amount of fluid to pass along the pipe wall to jet away and suspend any wax, sand or other debris.



Size	A	B	C	Weight	Part #
3"	5.500	7.000	3.375	2.0	70380303
4"	6.625	8.375	4.375	4.0	70380304
6"	9.875	13.750	6.375	15	70380306
8"	11.375	15.250	8.500	26	70380308
10"	15.250	19.500	10.625	47	70380310
12"	18.250	22.750	12.500	64	70380312
14"	21.250	25.875	13.875	75	70380314

Features:

Comes equipped with 2 standard JC Series Cups and one rear ported Series C Cup.

Designed to traverse 1.5D bends.

Options:

- Circular flat carbon steel, stainless steel, pencil or plastic brushes.
- Magnets are available.
- Available with UT configuration with internal transmitter housing for 6" - 14" pigs.



Check out apachepipe.com/animations.html for videos on jetted cups.

1575 - 90 Ave Edmonton, AB Canada T6P 0E2

Ph: 780.416.4850 | Fax: 780.416.4829 | apachepipe.com | Email: sales@apachepipe.com

3-25

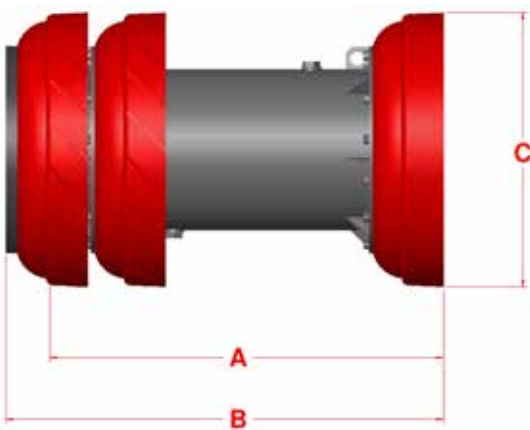
world class world wide

SCRAPER CUP

JETTED CUP

16-48" (406-1219mm)

The unique design of the JC Cup provides the user all the advantages of the Apache Series C Cup with the added benefit of the jetting action. The grooves in the surface of the cup create five times the cleaning surface enabling a calibrated amount of fluid to pass along the pipe wall to jet away and suspend any wax, sand or other debris.



Size	A	B	C	Weight	Part #
16"	22.500	25.875	16.000	115	70380316
20"	28.500	32.375	19.875	187	70380320
22"	31.375	35.500	21.875	215	70380322
24"	34.375	38.250	23.875	269	70380324
30"	42.125	47.125	29.875	426	70380330
36"	49.250	54.750	36.000	644	70380336
42"	56.500	62.500	42.125	942	70380342
48"	61.625	68.125	47.625	1141	70380348

Features:

Comes equipped with 2 standard JC Series Cups and one rear ported Series C Cup. Standard bumper noses prevent damage to both the pig and in-line auxiliary equipment. All Apache 16"-48" pigs are manufactured with by-pass ports. The ports have threaded plugs that can be removed if by-pass is required.

Designed to traverse 1.5D bends.

Options:

- Circular flat carbon steel, stainless steel, pencil or plastic brushes.
- Magnets are available.



Check out apachepipe.com/animations.html for videos on jetted cups.

1575 - 90 Ave Edmonton, AB Canada T6P 0E2

3-26

Ph: 780.416.4850 | Fax: 780.416.4829 | apachepipe.com | Email: sales@apachepipe.com

world class world wide