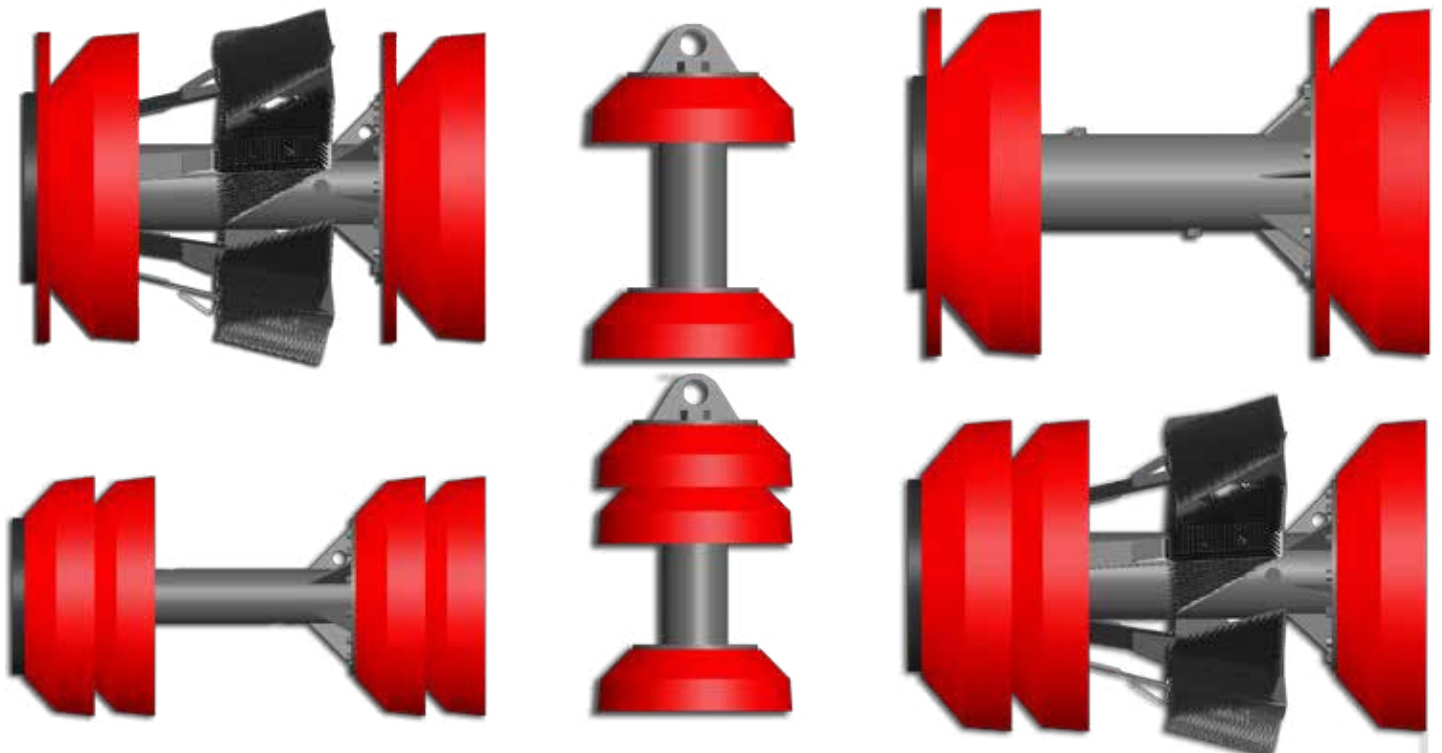


CONICAL CUP

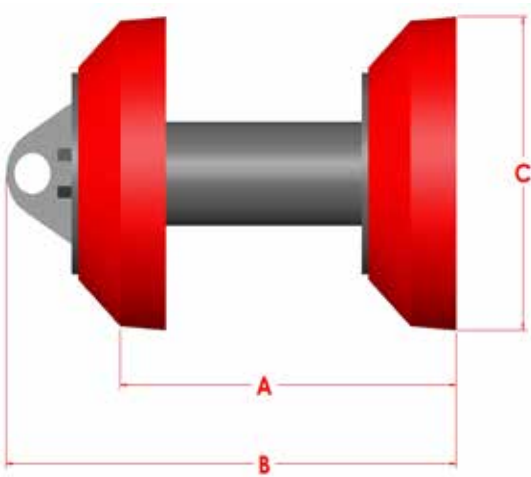


CONICAL CUP

UM2

3-14" (76-356mm)

The basic two cup series UM pigs are generally used for batching of dissimilar fluids. The UM series is available in three versions. The two cup design of this pig provides a positive seal between fluid interfaces while the three and four cup design is widely used for light cleaning of pipelines or batching/separation operations.



Size	A	B	C	Weight	Part #
3"	4.625	6.625	3.375	2	70580203
4"	5.875	8.000	4.375	3	70580204
6"	8.250	11.625	6.500	10	70580206
8"	10.500	14.125	8.375	15	70580208
10"	12.750	17.125	10.500	27	70580210
12"	15.125	19.625	12.500	39	70580212
14"	17.500	22.125	14.000	48	70580214

Features:

Configuration of the UM2 pig offers a sealing arrangement suitable for separation of dissimilar fluids together with light scraping of pipeline during longer distance operations. Pipeline pigs mounted with conical cups can traverse pipeline anomalies of up to 20% without damage to inline auxiliary equipment.

Options:

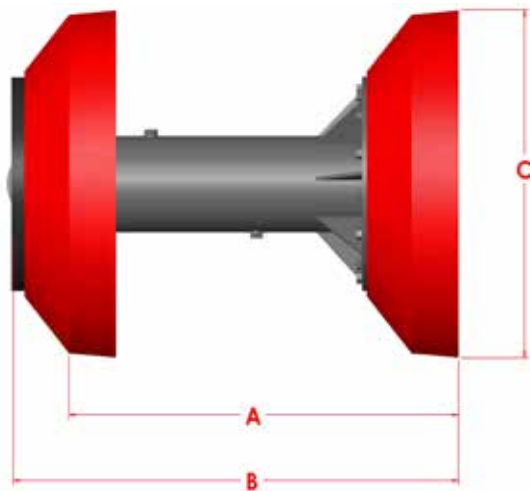
- Circular flat carbon steel, stainless steel, pencil or plastic brushes.
- Aluminum or steel gauging plates are available in either slotted or standard styles.
- Magnets available.

CONICAL CUP

UM2

16-48" (406-1219mm)

The UM pig available in three versions. The basic two cup and three cup UM pigs are generally used for batching of dissimilar fluids. Cups can be changed or adapted to different configurations as the application dictates. The configuration of the four cup UM provides positive seal between dissimilar fluids and typically used for longer distance operations and for light cleaning of pipelines.



Size	A	B	C	Weight	Part #
16"	21.000	24.000	15.875	63	70580216
20"	23.750	27.375	20.000	98	70580220
22"	27.625	31.625	22.000	137	70580222
24"	29.500	33.875	24.000	161	70580224
30"	36.750	41.875	29.875	273	70580230
36"	45.750	52.250	36.000	421	70580236
42"	54.125	61.375	42.000	614	70580242
48"	60.375	68.625	48.000	754	70580248

Features:

UM pigs are equipped with Apache Series M cups manufactured from high quality Reliathane. The large wear surface of the cup promotes longer life while the product pressure keeps the cutting edge firm against the pipe wall. Standard bumper noses prevent damage to both the pig and in-line auxiliary equipment. All Apache 16"-48" pigs are manufactured with by-pass ports. The ports have threaded plugs that can be removed if by-pass is required.

Options:

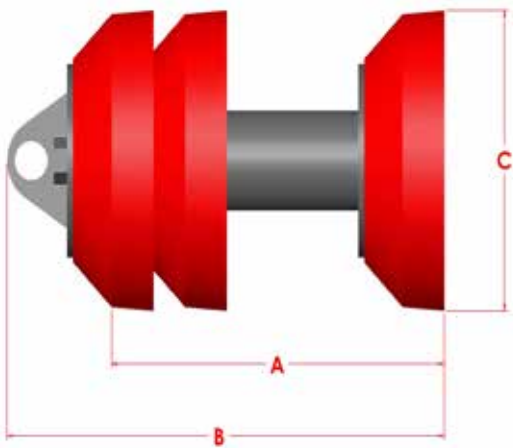
- Transmitter cavity for electronic tracking equipment.
- Aluminum or steel gauging plates are available in either slotted or standard styles.
- Magnets available.

CONICAL CUP

UM3

3-14" (76-356mm)

The basic three cup series UM pigs are designed for batching of dissimilar fluids and are typically used for longer distance applications. The UM series is available in three versions. The three cup design of this pig provides a positive seal between fluid interfaces and is widely used for light cleaning of pipelines or batching/separation operations.



Size	A	B	C	Weight	Part #
3"	4.875	6.750	3.375	3	70580303
4"	6.125	8.625	4.375	4	70580304
6"	9.250	12.625	6.500	13	70580306
8"	12.000	15.625	8.375	20	70580308
10"	14.875	19.250	10.500	36	70580310
12"	16.625	21.250	12.500	52	70580312
14"	19.500	24.250	14.000	64	70580314

Features:

Configuration of the UM3 pig offers a sealing arrangement suitable for separation of dissimilar fluids together with light scraping of pipeline during longer distance operations. Pipeline pigs mounted with conical cups can traverse pipeline anomalies of up to 20% without damage to inline auxiliary equipment.

Options:

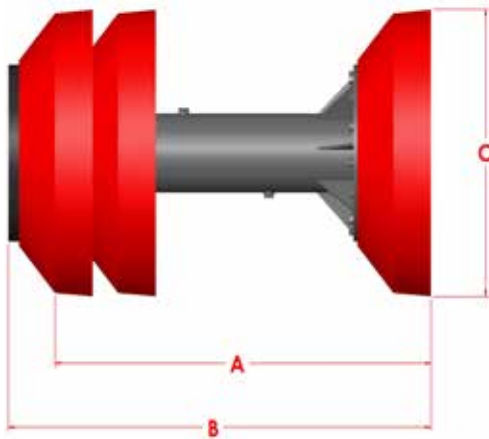
- Circular flat carbon steel, stainless steel, pencil or plastic brushes.
- Aluminum or steel gauging plates are available in either slotted or standard styles.
- Magnets available.

CONICAL CUP

UM3

16-48" (406-1219mm)

The basic three cup UM pigs are designed for batching of dissimilar fluids and are typically used for longer distance applications. The UM series is available in three versions. The three cup design of this pig provides a positive seal between fluid interfaces and is widely used for light cleaning of pipelines or batching/separation operations.



Size	A	B	C	Weight	Part #
16"	25.000	28.000	15.875	89	70580316
20"	29.750	33.375	20.000	145	70580320
22"	34.375	38.250	22.000	197	70580322
24"	36.500	40.875	24.000	231	70580324
30"	45.500	50.625	29.875	385	70580330
36"	55.125	61.750	36.000	586	70580336
42"	66.250	73.500	42.000	860	70580342
48"	74.625	83.000	48.000	1061	70580348

Features:

UM pigs are equipped with Apache Series M cups manufactured from high quality Reliathane. The large wear surface of the cup promotes longer life while the product pressure keeps the cutting edge firm against the pipe wall. Standard bumper noses prevent damage to both the pig and in-line auxiliary equipment. All Apache 16"-48" pigs are manufactured with by-pass ports. The ports have threaded plugs that can be removed if by-pass is required.

Options:

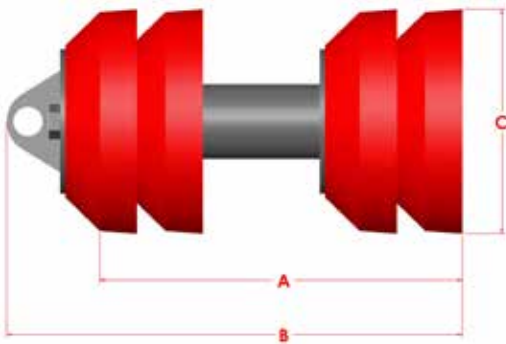
- Transmitter cavity for electronic tracking equipment.
- Aluminum or steel gauging plates are available in either slotted or standard styles.
- Magnets available.

CONICAL CUP

UM4

3-14" (76-356mm)

The basic four cup series UM pigs are generally used for batching of dissimilar fluids and are typically used for longer distance applications. The UM series is available in three versions. The four cup design of this pig provides a positive seal between fluid interfaces and is widely used for light cleaning of pipelines or batching/separation operations.



Size	A	B	C	Weight	Part #
3"	6.000	8.000	3.375	3	70580403
4"	7.000	9.500	4.375	5	70580404
6"	10.250	13.625	6.500	15	70580406
8"	13.500	17.125	8.375	25	70580408
10"	17.000	21.250	10.500	45	70580410
12"	18.750	23.750	12.500	65	70580412
14"	21.625	26.375	14.000	81	70580414

Features:

Configuration of the UM4 pig offers a sealing arrangement suitable for separation of dissimilar fluids together with light scraping of pipeline during longer distance operations. Pipeline pigs mounted with conical cups can traverse pipeline anomalies of up to 20% without damage to inline auxiliary equipment.

Options:

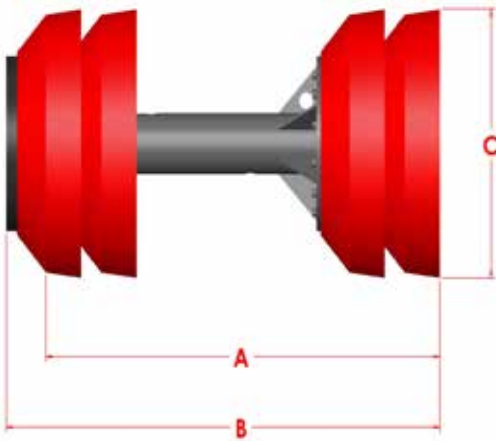
- Circular flat carbon steel, stainless steel, pencil or plastic brushes.
- Aluminum or steel gauging plates are available in either slotted or standard styles.
- Magnets available.

CONICAL CUP

UM4

16-48" (406-1219mm)

The basic four cup series UM pigs are generally used for batching of dissimilar fluids and are typically used for longer distance applications. The UM series is available in three versions. The four cup design of this pig provides a positive seal between fluid interfaces and is widely used for light cleaning of pipelines or batching/separation operations.



Size	A	B	C	Weight	Part #
16"	29.000	32.125	15.875	115	70580416
20"	35.750	39.375	20.000	191	70580420
22"	41.000	44.875	22.000	257	70580422
24"	43.500	47.875	24.000	301	70580424
30"	54.250	59.375	29.875	498	70580430
36"	64.625	71.125	36.000	751	70580436
42"	78.500	85.750	42.000	1118	70580442
48"	84.875	93.250	48.000	1338	70580448

Features:

UM pigs are equipped with Apache Series M cups manufactured from high quality Reliathane. The large wear surface of the cup promotes longer life while the product pressure keeps the cutting edge firm against the pipe wall. Standard bumper noses prevent damage to both the pig and in-line auxiliary equipment. All Apache 16"-48" pigs are manufactured with by-pass ports. The ports have threaded plugs that can be removed if by-pass is required.

Options:

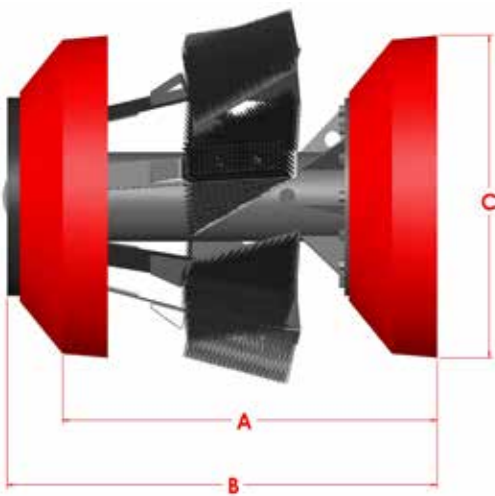
- Transmitter cavity for electronic tracking equipment.
- Aluminum or steel gauging plates are available in either slotted or standard styles.
- Magnets available.

CONICAL CUP

UM2X

16-48" (406-1219mm)

The basic two cup UMX pigs are generally used for cleaning and scraping of pipelines. This pig is also available in three and four cup configurations. By adding cups to the configuration the UM pig provides a positive seal between dissimilar fluids and is typically used for longer distance operations and for light cleaning of pipelines.



Size	A	B	C	Weight	Part #
16"	22.000	25.000	15.875	104	60514216
20"	27.250	30.875	20.000	165	60514220
22"	29.125	31.500	22.000	212	60514222
24"	29.500	33.875	24.000	230	60514224
30"	39.750	44.875	29.875	388	60514230
36"	45.750	52.250	36.000	551	60514236
42"	54.125	61.375	42.000	763	60514242
48"	60.375	68.625	48.000	937	60514248

Features:

UMX pigs are equipped with Apache Series M cups manufactured from high quality Reliathane. Pipeline pigs mounted with conical cups can traverse pipeline anomalies of up to 20% without damage to inline auxiliary equipment. Standard bumper noses prevent damage to both the pig and in-line auxiliary equipment. All Apache 16"-48" pigs are manufactured with by-pass ports. The ports have threaded plugs that can be removed if by-pass is required.

Options:

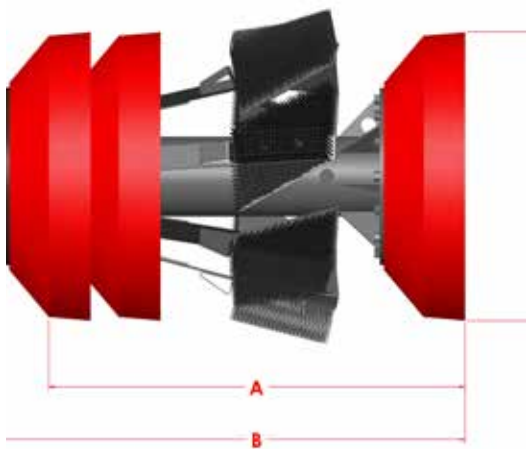
- Gauging plates of aluminum or steel, and either in slotted or standard styles.
- Transmitter cavity for electronic tracking equipment.
- Magnets are available.
- Plow blades.

CONICAL CUP

UM3X

16-48" (406-1219mm)

The three cup UMX pigs are generally used for cleaning and scraping of pipelines. By adding cups to the configuration the UM pig provides a positive seal between dissimilar fluids and is typically used for longer distance operations and for light cleaning of pipelines.



Size	A	B	C	Weight	Part #
16"	26.000	29.000	15.875	129	60514316
20"	33.250	36.875	20.000	212	60514320
22"	35.875	39.750	22.000	268	60514322
24"	36.500	40.875	24.000	301	60514324
30"	48.500	53.625	29.875	502	60514330
36"	55.125	61.750	36.000	716	60514336
42"	66.250	73.500	42.000	1015	60514342
48"	74.625	83.000	48.000	1244	60514348

Features:

UMX pigs are equipped with Apache Series M cups manufactured from high quality Reliathane. Pipeline pigs mounted with conical cups can traverse pipeline anomalies of up to 20% without damage to inline auxiliary equipment. Standard bumper noses prevent damage to both the pig and in-line auxiliary equipment. All Apache 16"-48" pigs are manufactured with by-pass ports. The ports have threaded plugs that can be removed if by-pass is required.

Options:

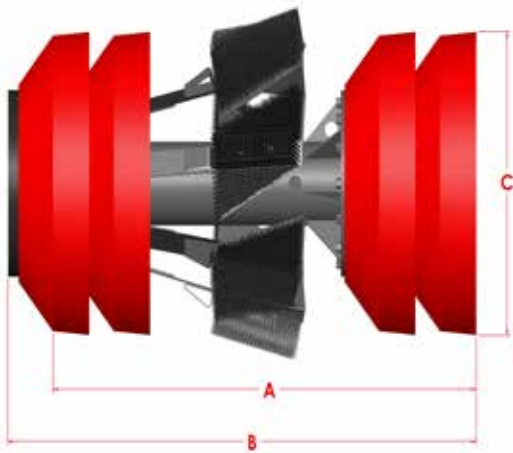
- Gauging plates of aluminum or steel, and either in slotted or standard styles.
- Transmitter cavity for electronic tracking equipment.
- Magnets are available.
- Plow blades.

CONICAL CUP

UM4X

16-48" (406-1219mm)

The four cup UMX pigs are generally used for cleaning and scraping of pipelines. By adding cups to the configuration the UM pig provides a positive seal between dissimilar fluids and is typically used for longer distance operations and for light cleaning of pipelines.



Size	A	B	C	Weight	Part #
16"	30.000	33.125	15.875	154	60514416
20"	39.250	42.875	20.000	257	60514420
22"	42.500	46.375	22.000	324	60514422
24"	43.500	47.875	24.000	372	60514424
30"	57.250	62.375	29.875	613	60514430
36"	64.625	71.125	36.000	879	60514436
42"	78.500	85.750	42.000	1264	60514442
48"	88.875	97.250	48.000	1550	60514448

Features:

UMX pigs are equipped with Apache Series M cups manufactured from high quality Reliathane. Pipeline pigs mounted with conical cups can traverse pipeline anomalies of up to 20% without damage to inline auxiliary equipment. Standard bumper noses prevent damage to both the pig and in-line auxiliary equipment. All Apache 16"-48" pigs are manufactured with by-pass ports. The ports have threaded plugs that can be removed if by-pass is required.

Options:

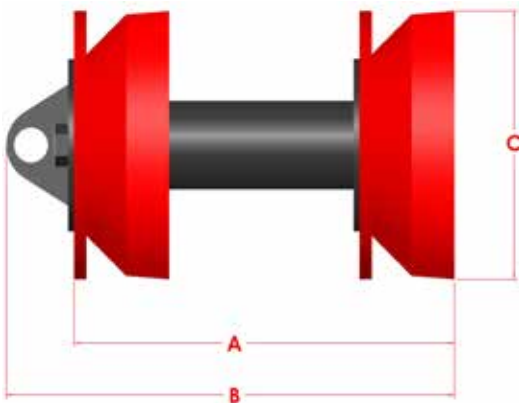
- Gauging plates of aluminum or steel, and either in slotted or standard styles.
- Transmitter cavity for electronic tracking equipment.
- Magnets are available.
- Plow blades.

CONICAL CUP

DMD

3-14" (76-356mm)

The series DMD pig comes standard with a combination of two sealing discs and two series M Cups, providing a positive seal between dissimilar fluids and scraping capability. The increased surface area provided by multiple sealing components significantly improves overall cleaning and sealing capacity of the pig.



Size	A	B	C	Weight	Part #
3"	5.625	7.000	6.500	2	70685003
4"	7.250	8.875	8.375	3	70685004
6"	10.125	12.375	6.500	11	70685006
8"	11.875	14.125	8.375	20	70685008
10"	15.500	18.125	10.500	31	70685010
12"	20.875	18.125	12.500	46	70685012
14"	20.500	23.250	14.000	52	70685014

Features:

Configuration of the DMD pig offers a sealing arrangement suitable for separation of dissimilar fluids together with light scraping of pipeline during longer distance operations. Pipeline pigs mounted with conical cups can traverse pipeline anomalies of up to 20% without damage to inline auxiliary equipment.

Options:

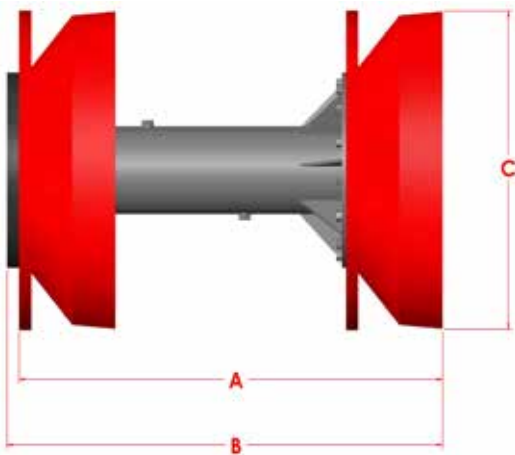
- Circular flat carbon steel, stainless steel, pencil or plastic brushes.
- Aluminum or steel gauging plates are available in either slotted or standard styles.
- Magnets available.

CONICAL CUP

DMD

16-48" (406-1219mm)

The series DMD pig comes standard with a combination of two sealing discs and two series M Cups, providing a positive seal between dissimilar fluids and scraping capability. The increased surface area provided by multiple sealing components significantly improves overall cleaning and sealing capacity of the pig.



Size	A	B	C	Weight	Part #
16"	24.500	25.500	15.875	75	70685016
20"	28.000	29.000	20.000	122	70685020
22"	32.375	33.375	22.000	163	70685022
24"	34.875	35.875	24.000	196	70685024
30"	43.000	44.125	29.875	328	70685030
36"	53.625	55.000	36.000	520	70685036
42"	62.875	64.375	42.000	755	70685042
48"	70.500	72.125	48.000	962	70685048

Features:

Configuration of the DMD pig offers a sealing arrangement suitable for separation of dissimilar fluids together with light scraping of pipeline during longer distance operations. Standard bumper noses prevent damage to both the pig and in-line auxiliary equipment. All Apache 16"-48" pigs are manufactured with by-pass ports. The ports have threaded plugs that can be removed if by-pass is required.

Options:

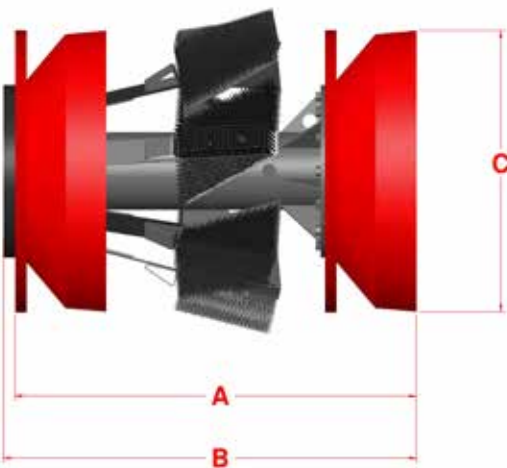
- Circular flat carbon steel, stainless steel, pencil or plastic brushes.
- Transmitter housing to accommodate electronic tracking equipment.
- Aluminum or steel gauging plates are available in either slotted or standard styles.
- Magnets available.

CONICAL CUP

DMDX

16-48" (406-1219mm)

The series DMDX pig come standard with the combination of two cups, two discs and brushes which provides a positive seal between dissimilar fluids and is typically used for long distance operations and light cleaning of pipelines. The increased surface area provided by multiple sealing components significantly improves overall cleaning and sealing capacity of the pig.



Size	A	B	C	Weight	Part #
16"	25.500	26.500	15.875	115	60690016
20"	31.500	32.500	20.000	187	60690020
22"	33.875	34.875	22.000	236	60690022
24"	34.875	35.875	24.000	264	60690024
30"	46.000	47.125	29.875	444	60690030
36"	53.625	55.000	36.000	653	60690036
42"	62.875	64.375	42.000	912	60690042
48"	70.500	72.125	48.000	1106	60690048

Features:

Standard bumper noses prevent damage to both the pig and in-line auxiliary equipment. All Apache 16"-48" pigs are manufactured with by-pass ports. The ports have threaded plugs that can be removed if by-pass is required.

Options:

- Circular flat carbon steel, stainless steel, pencil or plastic brushes.
- Transmitter housing to accommodate electronic tracking equipment.
- Aluminum or steel gauging plates are available in either slotted or standard styles.
- Magnets available.
- Plow blades.